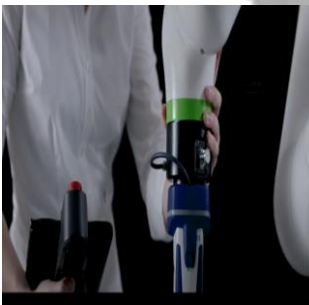
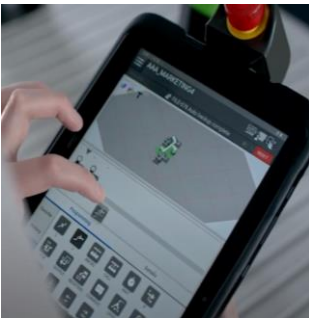


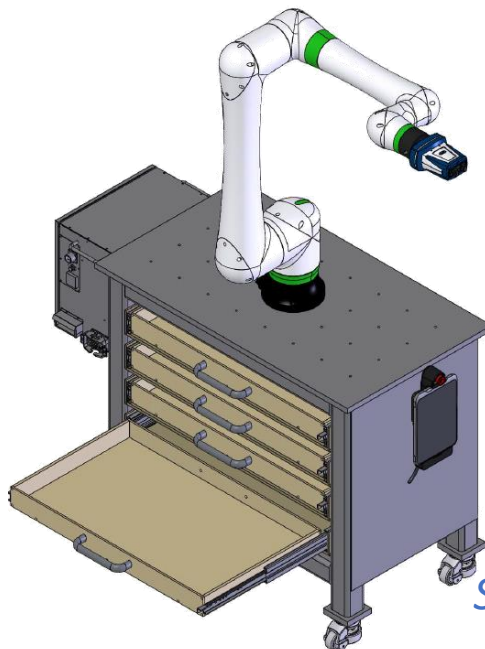
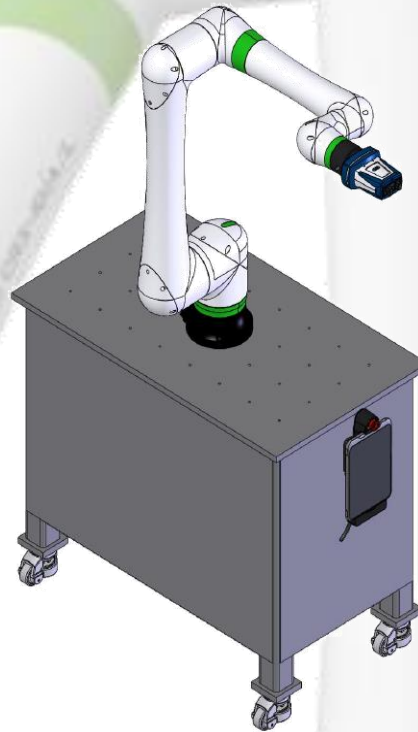
MITO MAXX

Loaded with Possibilities

www.mitimaxx.com



- Affordable automation
- Fanuc durability
- Supported by Authorized System Integrators
- Drag & drop programming
- Flexible shop applications
- Simple installation



- Hi-mix, low-volume applications
- Reduced labor costs
- Increased productivity
- Improve your bottom line
- Financing options available

Scan QR code for video!



COMPLETE MACHINING SOLUTIONS

www.industrial-tool.com

800-776-4455



MITI MAXX

Loaded with Possibilities

www.mitimaxx.com

MITI MAXX system comes with:

- Fanuc CRX10iA collaborative robot (10kg)
- Control tablet
- Single, 2-finger gripper
- Heavy-duty welded, tubular base (42" w x 24" l x 42" h)
- Ground tabletop - Multiple mounting locations
- Heavy-duty leveling casters
- Optional 2, 3, & 4-drawer inserts

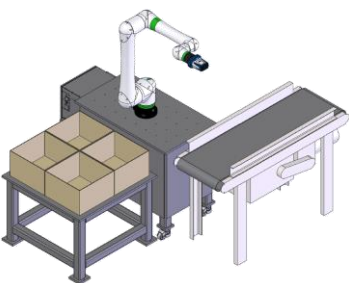
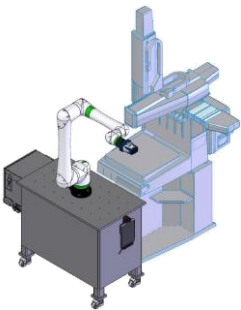
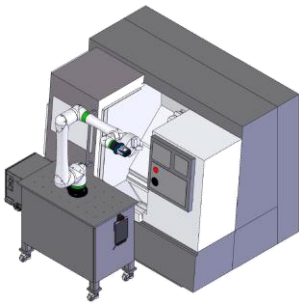
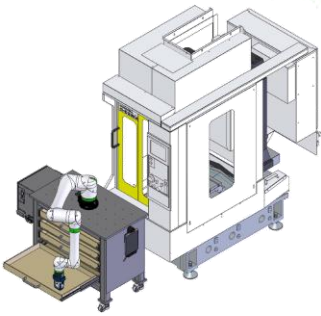
Customize your MITI MAXX

- CNC interface package
- Auto-door opener
- Nested part grid
- Dual, 2-finger gripper
- Multi-position mounting block
- Outfeed chutes
- Blow-off station
- Angled bed top
- Docking stations
- And MANY more!

Flexible Training Options

- Video conference training
- Onsite training
- Training at ITI

Scan QR code for video!



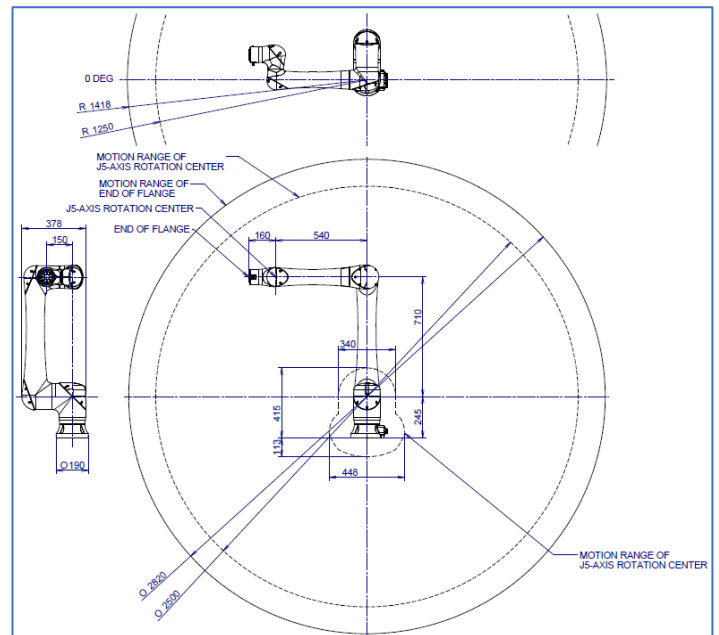
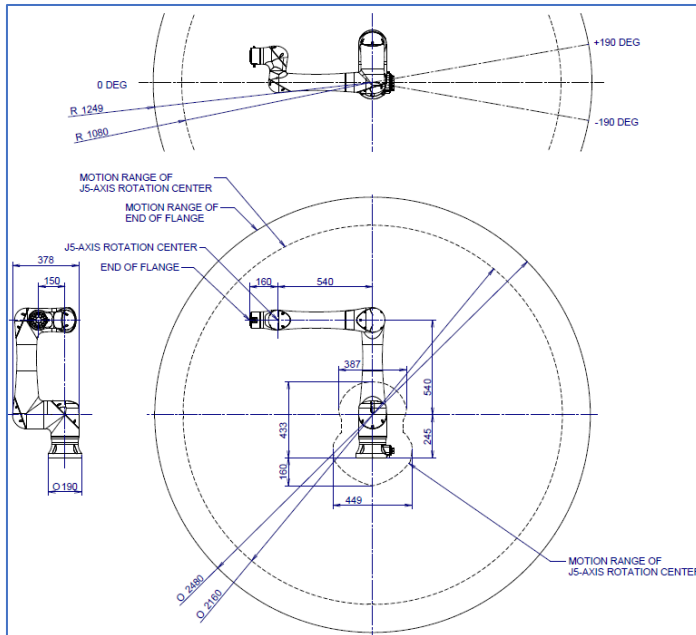
COMPLETE MACHINING SOLUTIONS

www.industrial-tool.com

800-776-4455



Robot	CRX-10i/A	CRX-10i/A/L
Max Payload	10 kg (22 lbs.)	10 kg (22 lbs.)
Max Reach	1,249 mm (49.17")	1,418 mm (55.85")



Items	Tablet Specifications
Dimensions	Height: 335 mm Width: 176 mm Thickness: 120 mm
Weight	1,270 kg
Safety Equipment	E-Stop Button 3-Position type enabling switch
IP Rate	IP 54 (Entire tablet TP & TP Base) IP 68 (Tablet Body)
Connector	USB type-A (For USB memory, USB 3.0) USB type-C (For connection to tablet)
Connection Cable	TP Cable (Controller – TP Base) USB type-C Cable (TP Base – Tablet)
Controller	R-30iB Plus Series Standard, CE and NRTL

